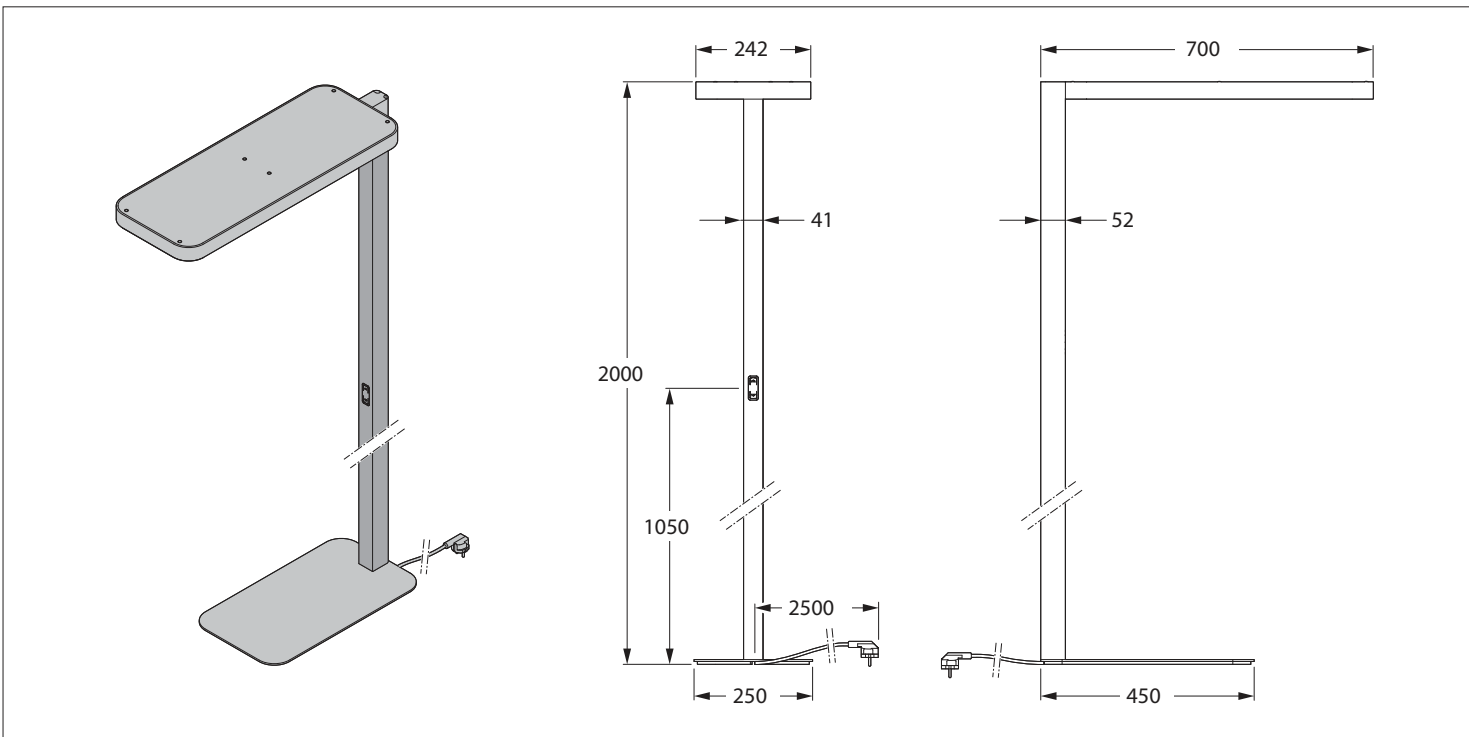
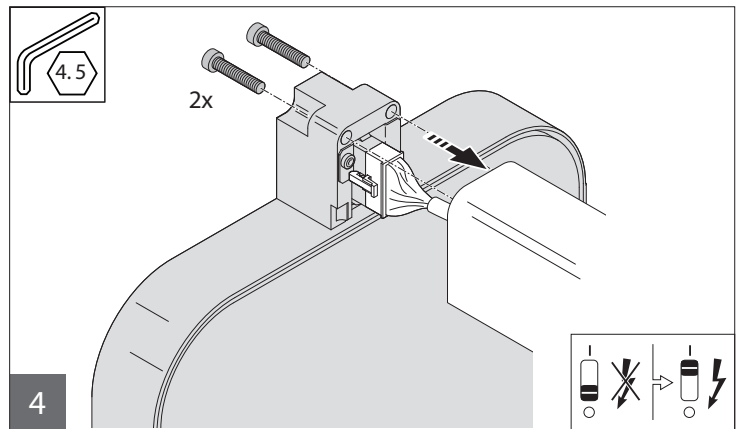
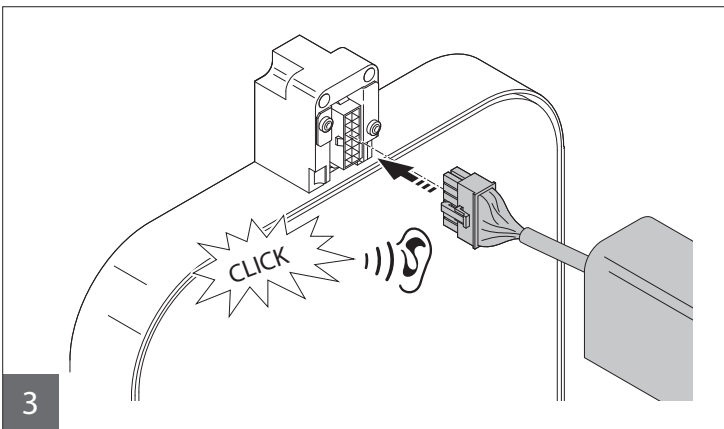
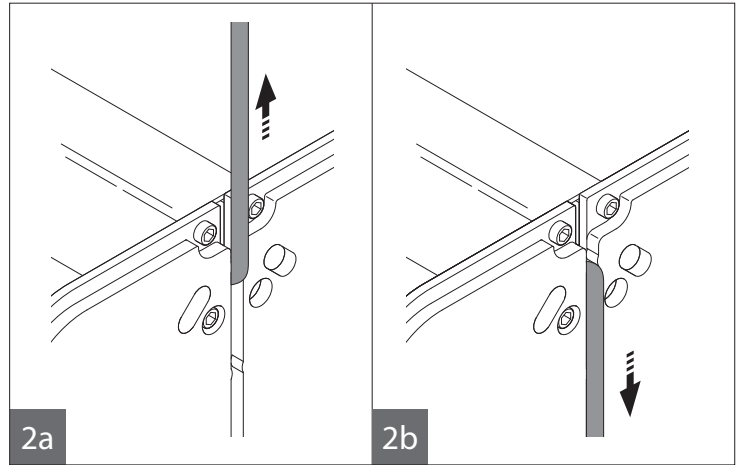
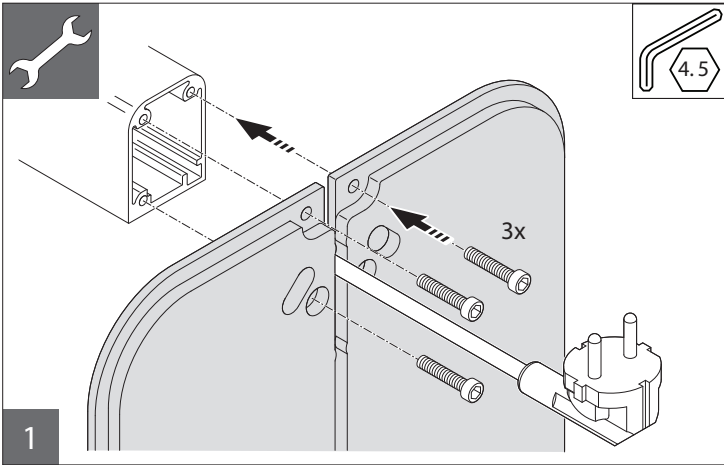
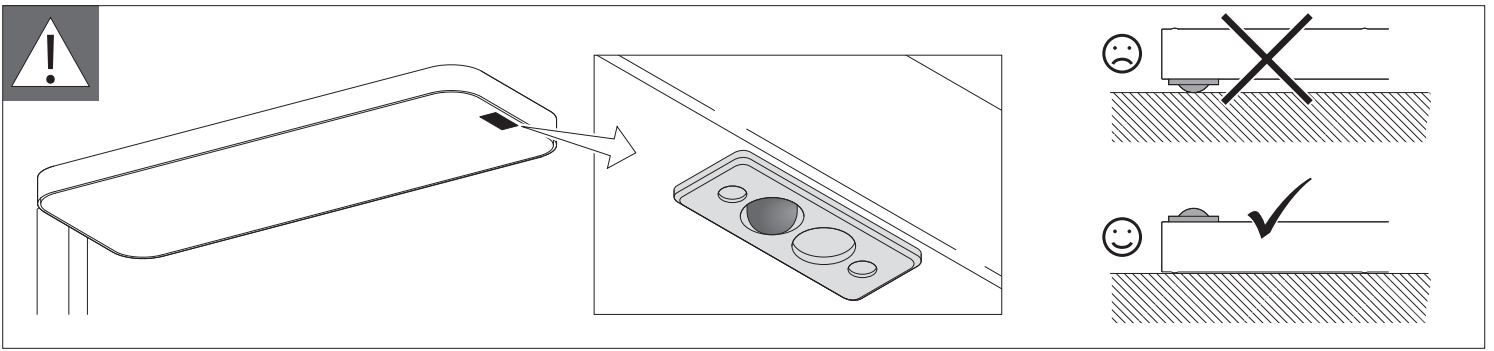


	Lumen(lm)	CCT(K)	Driver	P (W)	kg
FS484F LED125S PSD-T MLO SW WH	12500	4000	PSD-T	99	16.9
FS484F LED125S PSD-T MLO ACL WH	12500	4000	PSD-T	100	16.9
FS484F LED120S PSD-T MLO SW WH	12000	3000	PSD-T	100	16.9
FS484F LED120S PSD-T MLO ACL WH	12000	3000	PSD-T	101	16.9
FS484F LED125S PSD-T MLO SW CCH WH	12500	4000	PSD-T	99	16.9
FS484F LED120S PSD-T MLO SW CCH WH	12000	3000	PSD-T	100	16.9
FS484F LED125S PSD-T MLO SWZ WH	12500	4000	PSD-T	99	16.9
FS484F LED125S PSD-T MLO SWZ CCH WH	12500	4000	PSD-T	99	16.9
FS484F LED125S PSR-T MLO ACL CCH WH	12500	4000	PSR-T	100	16.9
FS484F LED120S PSR-T MLO ACL CCH WH	12000	3000	PSR-T	100	16.9
FS484F LED86S PSR-T MLO ACL CCH WH	8600	4000	PSR-T	100	16.9
FS484F LED125S PSD-T MLO ACL CCH WH	12500	4000	PSD-T	100	16.9
FS484F LED120S PSD-T MLO ACL CCH WH	12000	4000	PSD-T	100	16.9
FS484F LED86S PSD-T MLO ACL CCH WH	8600	4000	PSD-T	100	16.9





FS484F SW

**FS484F
FS484F ACL
FS484F SWZ**

$t < 1 \text{ sec.}$

UP ↑
DOWN ↓

$t > 1 \text{ sec.}$

